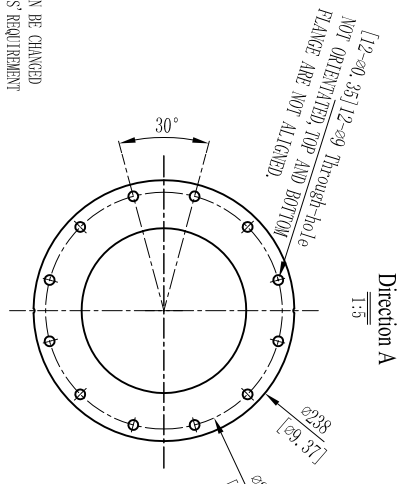


MODEL	A		B		VOLUME		DOME VOLUME		STRAIGHT WALL AREA		WEIGHT			
	mm	Inch	mm	Inch	liters	U.S. gal	liters	U.S. gal	sq. m	sq. FT	Kg	LBS		
63x67	2044 ± 15	80.47 ± 0.59	728	28.56	2451	647.56	86.61	511	135.0	18.06	3.62	38.97	306	673
63x86	2475 ± 15	97.44 ± 0.59	1158	45.59	3306	873.45	116.82	511	135.0	18.06	5.76	62.0	360	792



THIS DIMENSION CAN BE CHANGED WITH THE CUSTOMER'S REQUIREMENT

NOTES:

- TANK MUST MEET ALL APPLICABLE SPECIFICATIONS OF NSF/ANSI 044 STANDARD, LATEST REVISION.
- OPERATING SPECIFICATIONS:
 - MAXIMUM WORKING PRESSURE - 130 PSI (10.3BAR)
 - TEMPERATURE RANGE - 34-150° F (-65°C)
 - MAXIMUM VACUUM - 5"Hg (127mm Hg)
- VISUAL LINER INSPECTION
 - NO MORE THAN 20 INTERNAL OR EXTERNAL BLEMISHES OR BURNT DEBRIS.
 - NO INTERNAL OR EXTERNAL BLEMISHES OR BURNT DEBRIS LARGER THAN 5x5mm.
 - NO INTERNAL BLEMISHES OR BURNT DEBRIS ALLOWED.
- ALL GLASS STRANDS FROM FIBERGLASS LINER TO BE BONDED AND COVERED.
- SURFACE TO BE FREE OF NICKS, SCRATCHES, RESIN AND GLASS.
- SURFACE FINISH.
- DIMENSIONS IN PARENTHESES ARE REFERENCE ONLY.
- DIMENSIONS IN SQUARE PARENTHESES ARE INCH UNITS.
- TANK TO BE BONDED TO BASE.
- USING A STANDARD LEVEL WITH TANK POSITIONED ON A LEVEL SURFACE, DATUM B TO BE PARALLEL WITH DATUM A. BUBBLE OF LEVEL MUST FALL COMPLETELY WITHIN LINES WHEN MEASURED AT 90° INTERVALS WHEN PLACED ON THE TOP OF THE FLANGE.
- AFTER THE TANK IS LEVELLED, IT IS RECOMMENDED THAT THE TANK BE BOLTED TO THE FLOOR IN SIX POSITIONS PER THE TRIPOD BASE BOLT HOLE PATTERN WITH 3/8" ANCHORS.

VERSION NO.	DESCRIPTION OF CHANGES	SIGNATURE	DATE
2	DIMENSION A CHANGED		2011/08/29
1	THIS DRAWING IS GENERATED AUTOMATICALLY WITH THE CHINESE VERSION		2009/11/23

SIGNATURE		DATE	
DESIGN	NAME	INSPECTION	DATE
APPROVAL			

SCALE		MATERIAL		MODEL	
1 : 10				63" FRP PRESSURE VESSEL (DOUBLE FLANGE OPENING)	
QUANTITY		SMOOTHNESS		DRAWING NO.	
				113632-00	
PROJECTION		COMPUTER CODE		VERSION NO.	
				113632-00	

DO NOT MEASURE THE DIMENSIONS.				UNIT:MM	TOTAL PAGE:1
--------------------------------	--	--	--	---------	--------------

WAVE CYBER (SHANGHAI) CO., LTD.	
---------------------------------	--