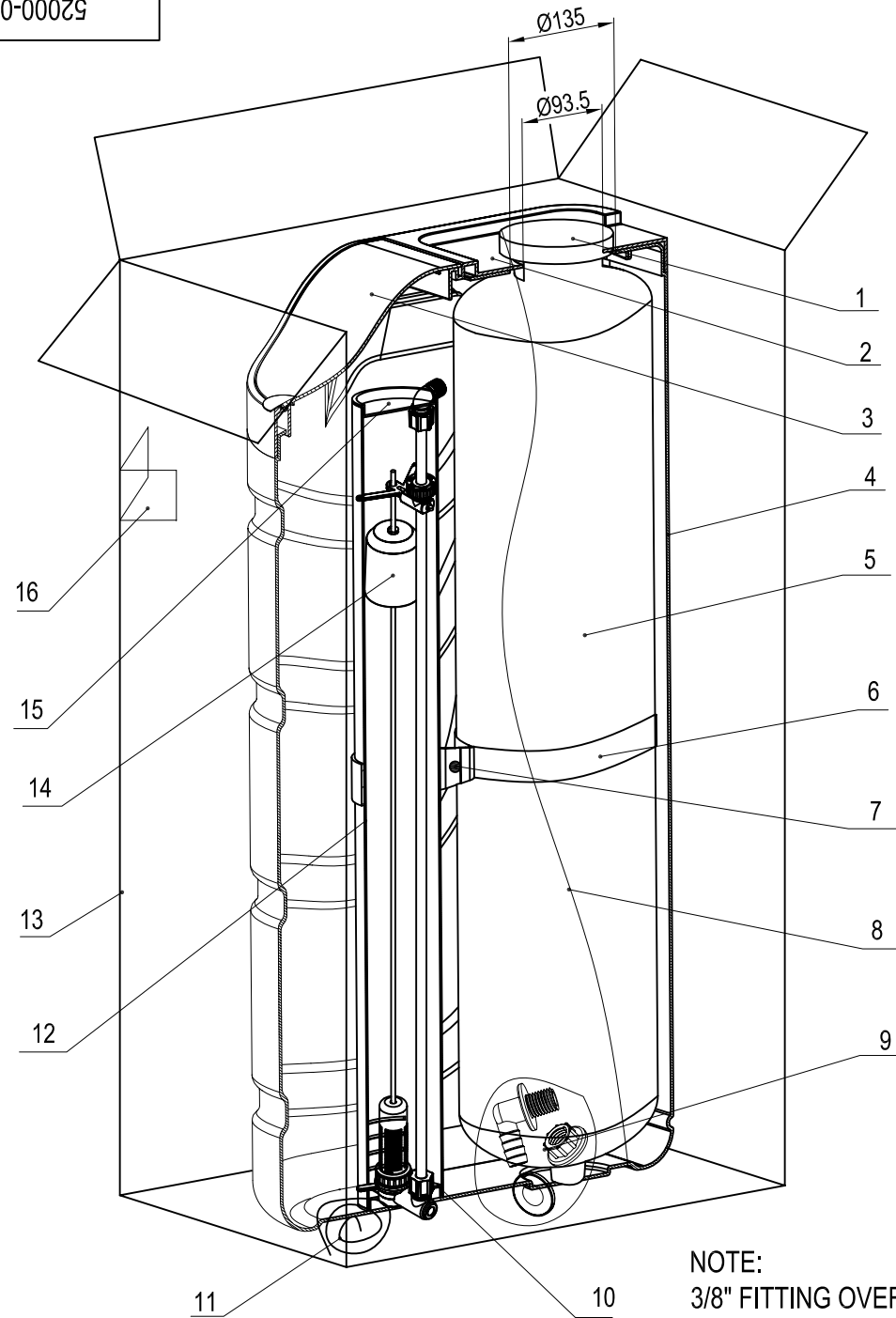


00-00079



NOTE:
3/8" FITTING OVERFLOW, WILL BE PACKED
IN A PLASTIC BAG, PLACED INSIDE CABINET.

CABINET-LID COLOR OPTION:

CABINET COLOR(10")		10x17		10x24		10x35	
LID AND LID FRAME COLOR (10")		WHITE	GREY	WHITE	GREY	WHITE	GREY
BLACK RAL:9005	FRAME (10893) LID (10894)	81897	82320	81898	82321	81899	82322
BLUE RAL:5015	FRAME (10895) LID (10896)	82272	82344	82273	82345	82274	82346
GREY (Wave-Cyber)	FRAME (10441) LID (10442)	81735	82296	81736	82297	81737	82298

10x17 CABINET KIT- OPTION "D" PART NUMBER: "SEE CABINET-LID COLOR OPTION"						
ITEM	DRAWING	PART NUMBER	DESCRIPTION	MATERIAL	QTY	COMMENT
1		40003	FOAM PLUG	FOAM	1	
2	52350-02		LID FRAME	ABS	1	
3	52350-03		CABINET LID	ABS	1	
4	52170-01	70454	10x17 CABINET	PE	1	
5	11102-00		10x17 TANK W/O BASE		1	
6	52350-04	10819	CLAMP RING(10")	PE	1	
7		10854	CHRISTMAS TREE	NYLON	2	
8			PLASTIC BAG		1	
9		10676	3/8"OVERFLOW FITTING		1	
10	30640-03-03	10053	BRINE WELL BOTTOM	ABS	1	
11		10674	HOSE	PE	1	3/8"x70"
12	30640-03-02	10039	BRINE WELL	PE	1	
13		41031	10x17 CABINET CARTON		1	
14	48101-00	10677	BRINE VALVE		1	434
15	30640-03-01	10052	BRINE WELL CAP	ABS	1	
16	731017-06-03	41068-32	CARTON LABEL		1	4" x 2"

10x35 CABINET KIT- OPTION "D" PART NUMBER: "SEE CABINET-LID COLOR OPTION"						
ITEM	DRAWING	PART NUMBER	DESCRIPTION	MATERIAL	QTY	COMMENT
1		40003	FOAM PLUG	FOAM	1	
2	52350-02		LID FRAME	ABS	1	
3	52350-03		CABINET LID	ABS	1	
4	52350-01	70456	10x35 CABINET	PE	1	
5	11102-00		10x35 TANK W/O BASE		1	
6	52350-04	10819	CLAMP RING(10")	PE	1	
7		10854	CHRISTMAS TREE	NYLON	2	
8			PLASTIC BAG		1	
9		10676	3/8"OVERFLOW FITTING		1	
10	30640-03-03	10053	BRINE WELL BOTTOM	ABS	1	
11		10674	HOSE	PE	1	3/8"x70"
12	30640-03-02	10039	BRINE WELL	PE	1	
13		41040	10x35 CABINET CARTON		1	
14	48101-00	10677	BRINE VALVE		1	434
15	30640-03-01	10052	BRINE WELL CAP	ABS	1	
16	731035-06-03	41068-34	CARTON LABEL		1	4" x 2"

10x24 CABINET KIT- OPTION "D" PART NUMBER: "SEE CABINET-LID COLOR OPTION"						
ITEM	DRAWING	PART NUMBER	DESCRIPTION	MATERIAL	QTY	COMMENT
1		40003	FOAM PLUG	FOAM	1	
2	52350-02		LID FRAME	ABS	1	
3	52350-03		CABINET LID	ABS	1	
4	52240-01	70455	10x24 CABINET	PE	1	
5	11102-00		10x24 TANK W/O BASE		1	
6	52350-04	10819	CLAMP RING(10")	PE	1	
7		10854	CHRISTMAS TREE	NYLON	2	
8			PLASTIC BAG		1	
9		10676	3/8"OVERFLOW FITTING		1	
10	30640-03-03	10053	BRINE WELL BOTTOM	ABS	1	
11		10674	HOSE	PE	1	3/8"x70"
12	30640-03-02	10039	BRINE WELL	PE	1	
13		41030	10x24 CABINET CARTON		1	
14	48101-00	10677	BRINE VALVE		1	434
15	30640-03-01	10052	BRINE WELL CAP	ABS	1	
16	731024-06-03	41068-33	CARTON LABEL		1	4" x 2"

2	REMOVE CABINET RAL NUMBER, USING WAVE-CYBER'S OWN COLOR;		2010/03/29
1	ADD "CABINET-LID COLOR OPTION"		2010/03/02
0	FIRST REVISION		2010/01/13
VERSION NO.	DESCRIPTION OF CHANGES:		SIGNATURE DATE
REFERENTIAL PLASTIC SHRINKAGE (IF NECESSARY):		SIGNATURE	
		WAVE CYBER (SHANGHAI) CO., LTD.	
DESIGN	NAME	DATE	SCALE
INSPECTION			1:8
APPROVAL			MATERIAL
THIS PRODUCT DRAWING CAN NOT BE COPIED AND/OR USED WITHOUT PRIOR WRITTEN APPROVAL OF WAVE CYBER.			MODEL
			DESCRIPTION
			QUANTITY
			SMOOTHNESS
			PROJECTION
			COMPUTER CODE
			DRAWING NO.
			VERSION NO.
			52000-00
			2
			DO NOT MEASURE THE DIMENSIONS.
			UNIT: MM
			TOTAL PAGE: 1