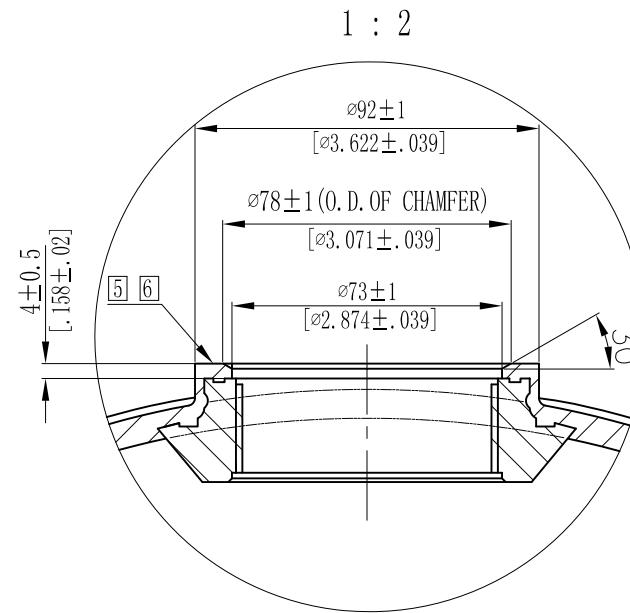
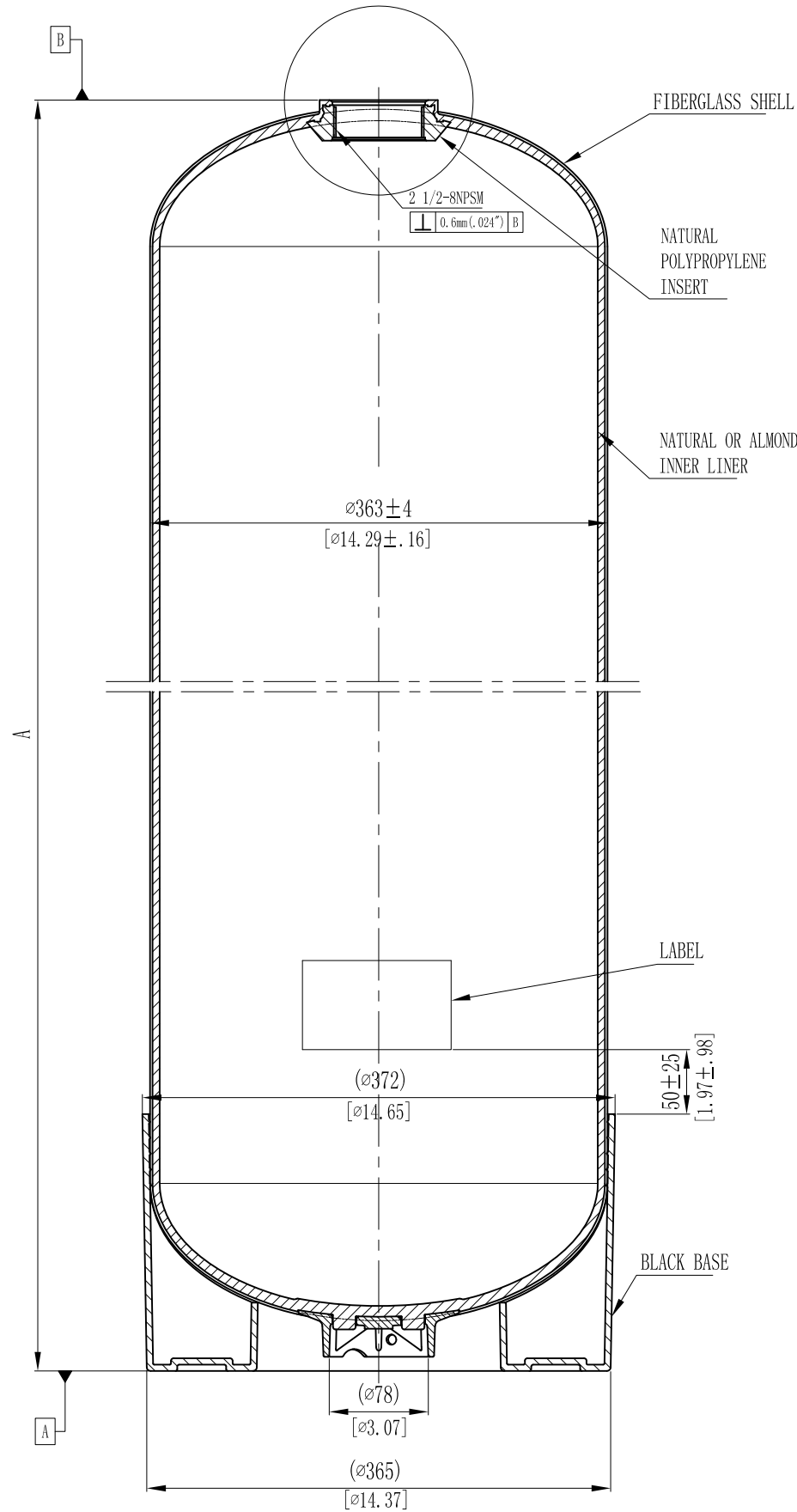


00-11141-00



MODEL	A				VOLUME			DOME VOLUME			WEIGHT	
	mm	inch	+/-		liters	U.S.gal	cubic FT	liters	U.S.gal	cubic FT	Kg	LBS
			mm	inch								
14x65	1674	65.91	6	.24	148	39.1	5.23	6.16	1.63	0.22	14.80	32.60
14x52	1344	52.91	6	.24	115	30.38	4.06	6.16	1.63	0.22	12.45	27.42
14x47	1222	48.11	6	.24	101	26.68	3.57	6.16	1.63	0.22	11.6	25.52

NOTES:

- TANK MUST MEET ALL APPLICABLE SPECIFICATIONS OF NSF/ANSI 044 STANDARD, LATEST REVISION.
- OPERATING SPECIFICATIONS:
 - A. MAXIMUM WORKING PRESSURE - 150 PSI (10.5BAR)
 - B. TEMPERATURE RANGE - 34-120° F (1-49°C)
 - C. MAXIMUM VACUUM - 5"Hg (127mm Hg)
- VISUAL LINER INSPECTION
 - A. NO MORE THAN 10 INTERNAL OR EXTERNAL BLEMISHES OR BURNT DEBRIS.
 - B. NO INTERNAL OR EXTERNAL BLEMISHES OR BURNT DEBRIS LARGER THAN 3×3mm.
 - C. NO INTERNAL BLEMISHES OR BURNT DEBRIS ALLOWED.
- ALL GLASS STRANDS FROM FIBERGLASS LINER TO BE BONDED AND COVERED.
- SURFACE TO BE FREE OF NICKS, SCRATCHES, RESIN AND GLASS.
- SURFACE FINISH.
- DIMENSIONS IN PARENTHESIS ARE REFERENCE ONLY.
- USING A STANDARD LEVEL WITH TANK POSITIONED ON A LEVEL SURFACE, DATUM B TO BE PARALLEL WITH DATUM A. BUBBLE OF LEVEL MUST FALL COMPLETELY WITHIN LINES WHEN MEASURED AT 90° INTERVALS.

CHANGEMETHOD FROM 1194(47.01) TO 1222(48.11)															
VERSION NO.	DESCRIPTION OF CHANGES:										SIGNATURE	DATE			
REFERENTIAL PLASTIC SHRINKAGE (IF NECESSARY):				SIGNATURE											
DESIGN				SCALE				MATERIAL				MODEL			
INSPECTION				1 : 5				SMOOTHNESS				DESCRIPTION			
APPROVAL				QUANTITY				COMPUTER CODE				DRAWING NO.			
THIS PRODUCT DRAWING CAN NOT BE COPIED AND/OR USED WITHOUT PRIOR WRITTEN APPROVAL OF WAVE CYBER.				PROJECTION				DRAWING NO.				VERSION NO.			
				DO NOT MEASURE THE DIMENSIONS.				UNIT: MM				TOTAL PAGE: 1			

WAVE CYBER (SHANGHAI) CO., LTD.

14" (2.5") FRP PRESSURE VESSEL

11141-00 4